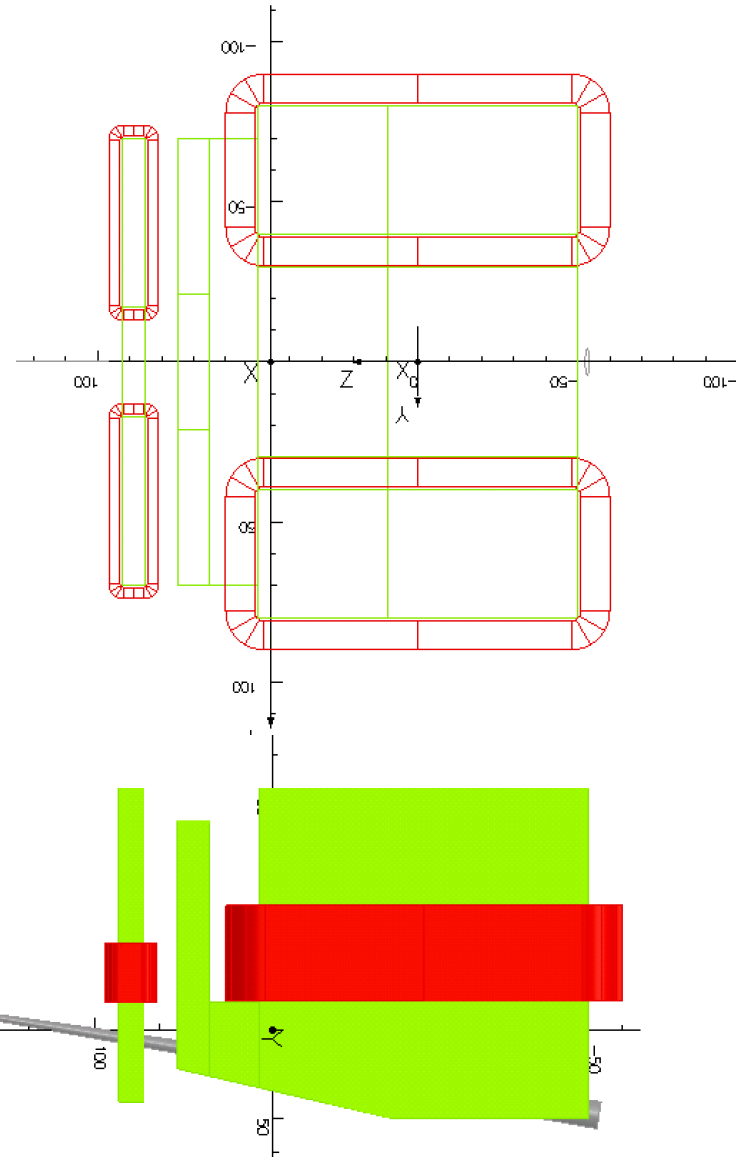
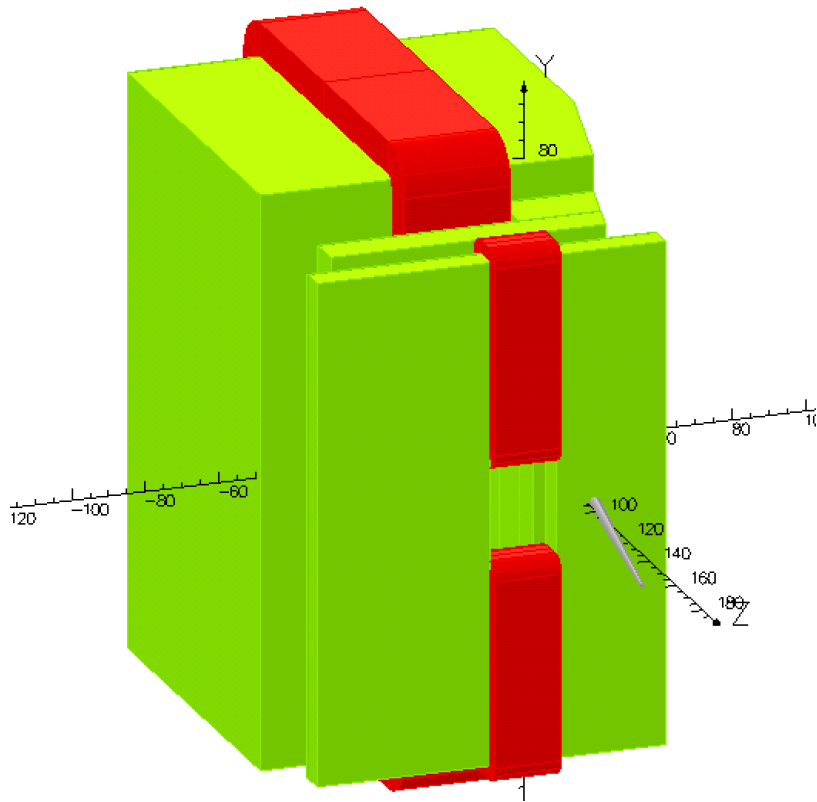


Horizontal field dipole, model SAM-WACS



Iron weight is of 20 tons
Coils weight is of 1.5 tons